

## PRODUCT-OVERVIEW



### Company-Profile

XenoEnergy has more than 10 years experience and know-how in R&D, engineering and production of Lithium Batteries. We are an independent company, using our experience and know-how for the benefit and the success of our customers, free from any Group Decision. Our objective is to help our customers to solve their energy and battery problems technically and economically based on a long term partnership cooperation. We know that the success of our customers will be also our success.

### Characteristics of our Products

**High Cell-Voltage**, Open Circuit Voltage ( OCV) of 3.67 Volt. This is higher than the most existing battery-systems.

**High Energy Density**, up to 700 Wh/kg and 1380 Wh/l

**Wide Temperature Range**, -55°C to +85°C, (130°C, higher temperatures on request)

**Low Self-discharge**, of 1% ~ 2% at RT permits a very long shelf life of more than 10 years.

**Highest Reliability and Safety**, due to bobbin type construction and hermetically sealed case with glass-to-metal seal and laser welding.

**Best Pulse-Behavior**, low voltage drop, even after temperature cycles or temperature storage.

### Certificates and Approvals

ISO 9001, certified by TÜV Germany

ISO 14001 in preparation

UL – Approval

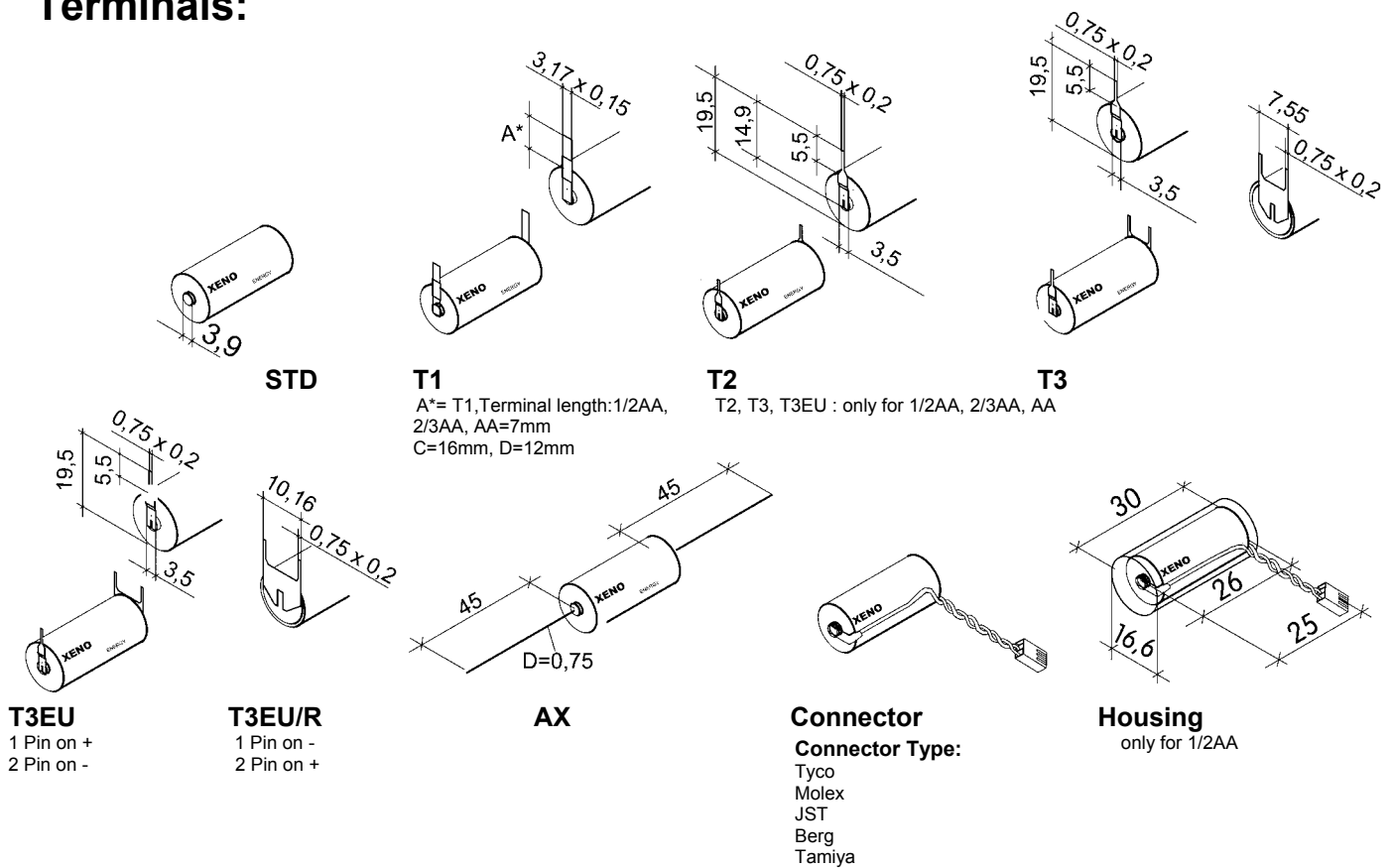
### Safety-Tests

Short Circuit Test	UL1642 No.10 / MIL-B-49461 (ER) No.4.8.10
Abnormal Charging Test	UL1642 No.11 A
Forced Discharge Test	UL1642 No.11B/ MIL-B-49461 (ER) No.4.8.13.1
Crush Test	UL1642 No.12
Impact Test	UL1642 No.13
Shock Test	UL1642 No.14A / MIL-B-49461 (ER) No.4.8.5
Vibration Test	UL1642 No.15 / MIL-B-49461 (ER) No.4.8.6.
Drop Test	UL1642 No.16 / MIL-B-49461 (ER) No.4.8.3.
Heating Test	UL1642 No.18A
Temperature Cycling Test	UL1642 No.18B / MIL-STD-331, Test 113.1
Altitude Test	UL1642 No.18C

# Product-Specifications

XenoEnergy	XL-050F	XL-055F	XL-060F	XL-140F	XL-145F	XL-200F	XL-205F	XL-210F
Standards ANSI	1/2AA ER14252	2/3AA ER14335	AA ER14505	C ER26500	C ER26500	D ER32L615	D ER32L605	1/10D ER33L65
IEC	1/2ER6	2/3ER6	ER6	ER14	ER14	ER20	ER20	1/10/ER20
Nominal Voltage	3.6V	3.6V	3.6	3.6V	3.6V	3.6V	3.6V	3.6V
Nominal Capacity	1.2Ah	1.65Ah	2.4Ah	7.2Ah	8.5Ah	16.5Ah	19Ah	1.0Ah
Nominal Current	1mA	1mA	2mA	3mA	3mA	5mA	5mA	1mA
Max. Cont. Current	50mA	60mA	100mA	230mA	230mA	230mA	230mA	10mA
Max. Pulse Current	100mA	150mA	200mA	400mA	400mA	500mA	500mA	
Temperature Range	-55/+85°C	-55/+85°C	-55/+85°C	-55/+85°C	-55/+85°C	-55/+85°C	-55/+85°C	-55/+85°C
Diameter (max)	14.5mm	14.5mm	14.5mm	26.2mm	26.2mm	33.6mm	33.6mm	33.0mm
Height (max)	25.2mm	35.5mm	50.5mm	50mm	50mm	60mm	60mm	6.6mm
Weight	9.2g	11.3g	17.6g	50.5g	51g	92.5g	97g	8.5g

## Terminals:



## Special- or Customer-Specific Types on request

Distributor: